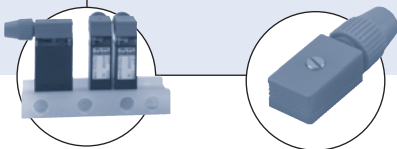


## 2/2 or 3/2-way Miniature Rocker Solenoid Valve



Type 0127 can be combined with...



**Manifolds**

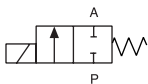
**Type 1054**

Cable plug

- With isolating diaphragm
- Minimal internal volume and ultra low dead volume
- High back-pressure tightness
- Suitable for aggressive fluids
- NC, NO or universal circuit function
- Compact 16 mm design

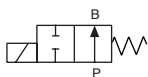
Bürkert's unique miniature rocker solenoid valve is the pioneer of isolated mini valves suitable for laboratory, medical and analysis technology, that still set the standard! It is a highly reliable minimum volume valve that has low dead volume and is easy to purge. Boasting an inert isolating diaphragm between the actuator and body, it is operated via a rocker that separates the actuator from the fluid. Heat transfer between the actuator and the fluid is minimized due to the coil not having direct contact with the diaphragm. The valves can be manifold mounted and a simplified common wiring system is available if required. Special dead volume free designs are also obtainable on request.

### Circuit function A



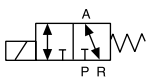
2/2-way valve,  
direct-acting,  
normally closed

### Circuit function B



2/2-way valve,  
direct-acting,  
normally open

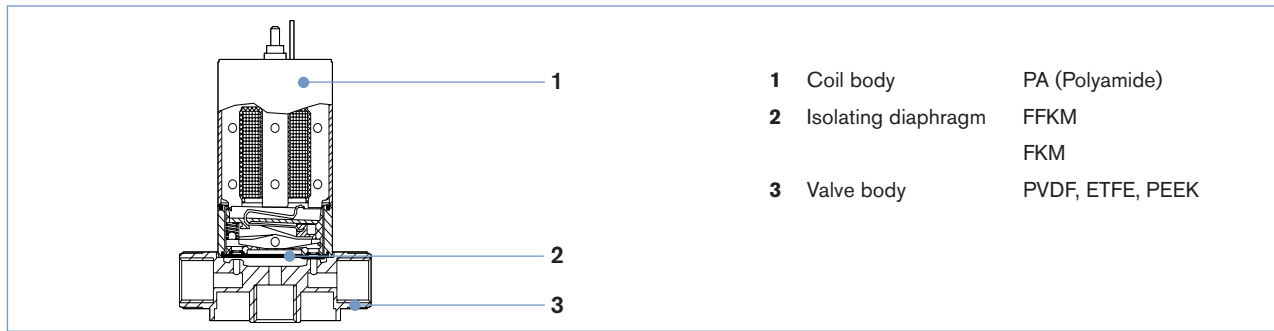
### Circuit function T



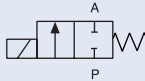
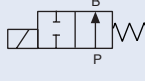
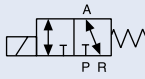
3/2-way valve,  
direct-acting,  
universal functions

Technical data	
<b>Orifice</b>	DN 1.5 - 1.6 mm
<b>Body material</b>	PVDF, ETFE, PEEK
<b>Seal material, media</b>	FFKM, FKM, Resistant to neutral and aggressive liquids and gases, see Burkert chemical resistance chart
<b>Media temperature</b>	
FFKM	0 to +50 °C
FKM	0 to +60 °C
<b>Ambient temperature</b>	max. +55 °C
<b>Internal volumes</b>	Depending on body
with sub-base	68 µl
with G 1/8, NPT 1/8	85 µl
with UNF 1/4" - 28	30 µl
on request	< 10 µl
<b>Operating voltage</b>	12/24 V/DC; 24 V/UC
<b>Power consumption</b>	3.4 W
<b>Voltage tolerance</b>	±10%
<b>Duty cycle</b>	100% continuous rating
Manifold mounting	If media or ambient temperatures are above +40 °C: intermittent operation 40% (10 min)
<b>Electrical connection</b>	<ul style="list-style-type: none"> <li>▪ Cable plug Type 1054 (supplied as standard)</li> <li>▪ Two FEP-leads 0.2 mm<sup>2</sup>, length 500 mm</li> </ul>
<b>Protection class</b>	IP 54 with flying leads and single cable plug
<b>Installation</b>	As required, preferably with actuator upright
<b>Response times</b>	According to ISO 12238:2001; Measured at valve outlet with air at 2 bar and +20 °C
Open	approx. 25 ms (Pressure rise 0 to 10%)
Closing	approx. 25 ms (Pressure drop 100 to 90%)

Materials



Ordering chart for valves (other versions on request)

Circuit function	Orifice	Port connection <sup>1)</sup>	Kv valve water [m <sup>3</sup> /h] <sup>2)</sup>	Pressure range [bar] <sup>3)</sup>	Back pressure	Seal material	Body material	Electrical connection	Voltage/frequency [V/Hz] <sup>4)</sup>	Item no.
<b>A</b>  2/2-way valve, direct acting, normally closed	1.5	UNF 1/4" - 28	0.039	0-2	1	FFKM	ETFE	leads, 0.5m	12/DC	121 783
								leads, 0.5m	24/DC	120 680
	1.6	G 1/8	0.06	0-2	2	FFKM	PVDF	cable plug	24/UC	079 228
								cable plug	12/DC	078 293
								leads, 0.5m	24/DC	120 677
								cable plug	24/UC	017 863
								cable plug	24/UC	077 810
								cable plug	12/DC	121 785
								leads, 0.5m	24/DC	121 786
								cable plug	24/UC	121 777
Tube connection	0.039	0-2	1	FFKM	PVDF	leads, 0.5m	12/DC	121 782		
						leads, 0.5m	24/DC	120 683		
<b>B</b>  2/2-way valve, direct-acting, normally open	1.5	UNF 1/4" - 28	0.039	0-2	1	FFKM	ETFE	leads, 0.5m	12/DC	122 378
								leads, 0.5m	24/DC	120 681
	1.6	G 1/8	0.06	0-2	2	FFKM	PVDF	cable plug	24/UC	079 229
								cable plug	12/DC	078 294
								leads, 0.5m	24/DC	120 678
								cable plug	24/UC	017 864
								cable plug	24/UC	077 811
								cable plug	12/DC	122 885
								leads, 0.5m	24/DC	122 380
								cable plug	24/UC	079 227
Tube connection	0.039	0-2	1	FFKM	PVDF	leads, 0.5m	12/DC	122 379		
						leads, 0.5m	24/DC	120 684		
<b>T</b>  3/2-way valve, direct-acting, universal functions	1.5	UNF 1/4" - 28	0.039	0-2	1	FFKM	ETFE	leads, 0.5m	12/DC	121 784
								cable plug	24/DC	078 303
	1.6	G 1/8	0.06	0-2	2	FFKM	PVDF	leads, 0.5m	24/DC	120 682
								cable plug	24/UC	079 206
								cable plug	12/DC	078 290
								leads, 0.5m	24/DC	120 679
								cable plug	24/UC	073 606
								cable plug	24/UC	017 629
								cable plug	12/DC	078 296
								leads, 0.5m	24/DC	121 781
NPT 1/8	0.06	0-2	2	FFKM	PVDF	cable plug	24/UC	077 812		
						cable plug	24/UC	121 788		
Sub-base	0.039	0-2	2	FKM	PVDF	leads, 0.5m	24/DC	121 789		
						cable plug	24/UC	121 787		
Tube connection	0.039	0-2	1	FFKM	PVDF	leads, 0.5m	12/DC	120 786		
						leads, 0.5m	24/DC	120 685		
							cable plug	24/UC	078 945	

<sup>1)</sup> Tube and UNF connection on request.

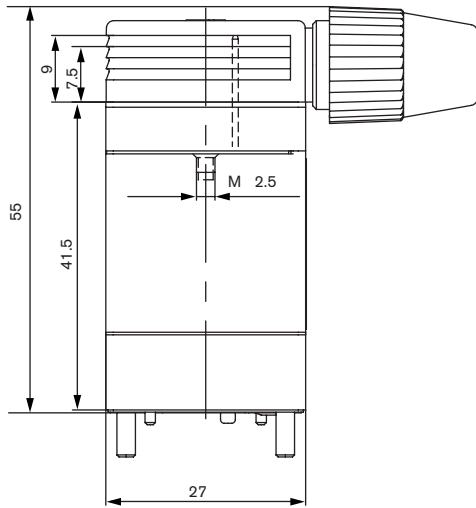
<sup>2)</sup> Measured at +20 °C, 1 bar pressure at valve inlet and free outlet

<sup>3)</sup> Gauge pressures with respect to the prevailing atmosphere pressure

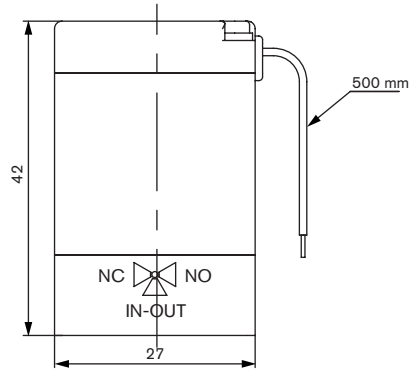
<sup>4)</sup> The rectifier, LED and varistor are integrated in the universal current versions (UC).

Dimensions [mm]

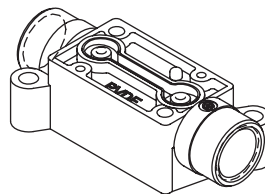
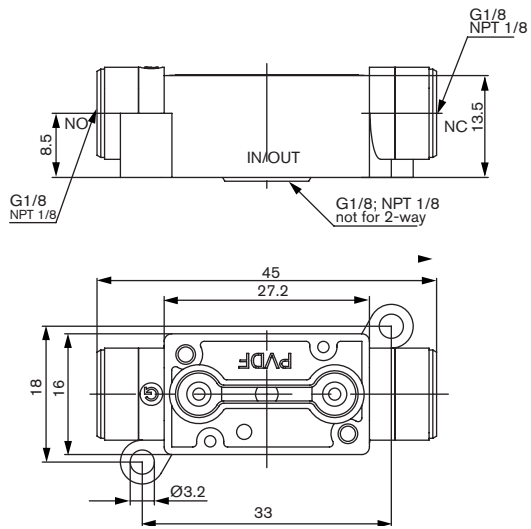
Coil with cable plug Type 1054



Coil with flying leads

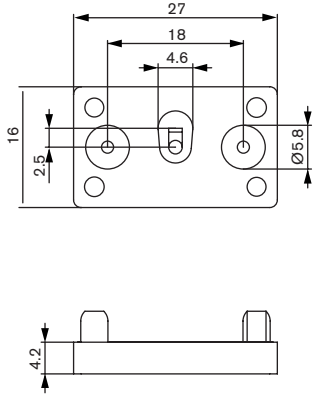


Body with threaded connection

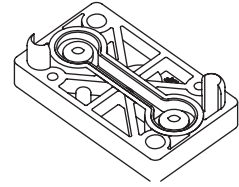
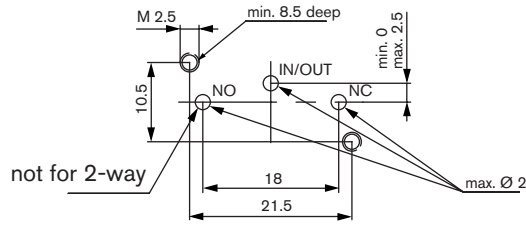


**Dimensions [mm]**

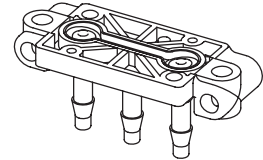
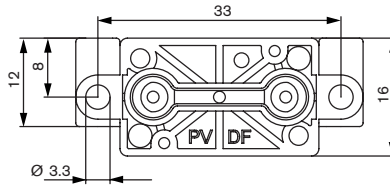
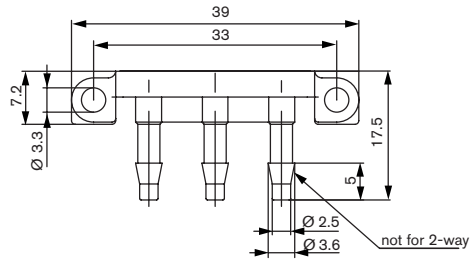
**Sub-base body**



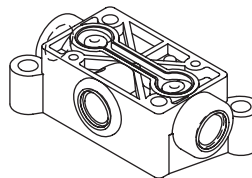
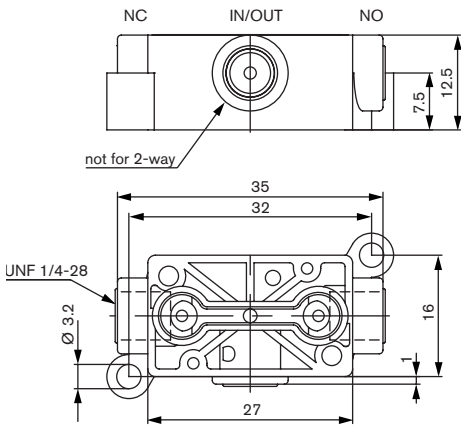
**Interface for manifold**



**Body with tube connection**



**Body with UNF 1/4" - 28**



To find your nearest Bürkert facility, click on the orange box →

[www.burkert.com](http://www.burkert.com)

In case of special application conditions, please consult for advice.

We reserve the right to make technical changes without notice.  
© Christian Bürkert GmbH & Co. KG

0801/3\_EU-en\_00891603