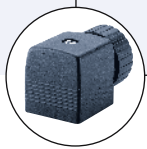




Type 0142 can be combined with...



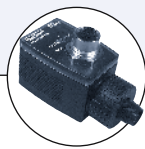
Type 2508

Cable plug



Type 1078

Timer unit



Type 2511/12

ASI cable plug

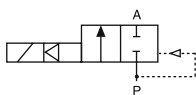
2/2-way Solenoid Valve for aggressive media, true union, Ø20-63

- Isolating diaphragm between the solenoid and fluid
- Non-metallic valve internals
- Pivoted armature, with lockable manual override
- Simple installation and removal

Servo-assisted solenoid valve with diaphragm, normally closed function. Hermetic isolation of fluid from the actuator. A minimum differential pressure of 0.5 bar is required to fully open the valve.

Valves can be mounted or removed radially for a space-saving installation.

Circuit function A



2/2- way valve, normally closed, with 3-way pilot servo-assistance

| Technical data | |
|---|--|
| Orifice | DN 15 - 50 |
| Body material | PVC, PVDF (on request) |
| Inner part valve | PVDF |
| Seal material | FKM, EPDM |
| Media with EPDM with FKM | Alkalis, alkaline washing and bleaching lyes Oxydizing acids and substances, salt solutions |
| Media temperature PVC-body PVDF-body | 0 to +50°C 0 to +70°C |
| Ambient temperature PVC-body PVDF-body | 0 to +40°C 0 to +55°C |
| Voltage tolerance | ±10% |
| Duty cycle | 100% continuous rating |
| Electrical connection | Cable plug for Ø 7 mm acc. to DIN EN 175301-803 Form A (supplied as standard) |
| Protection class | IP 65 with cable plug |
| Coil insulation class | Class H |
| Port connection | True union |
| Installation | as required, preferably with actuator upright |

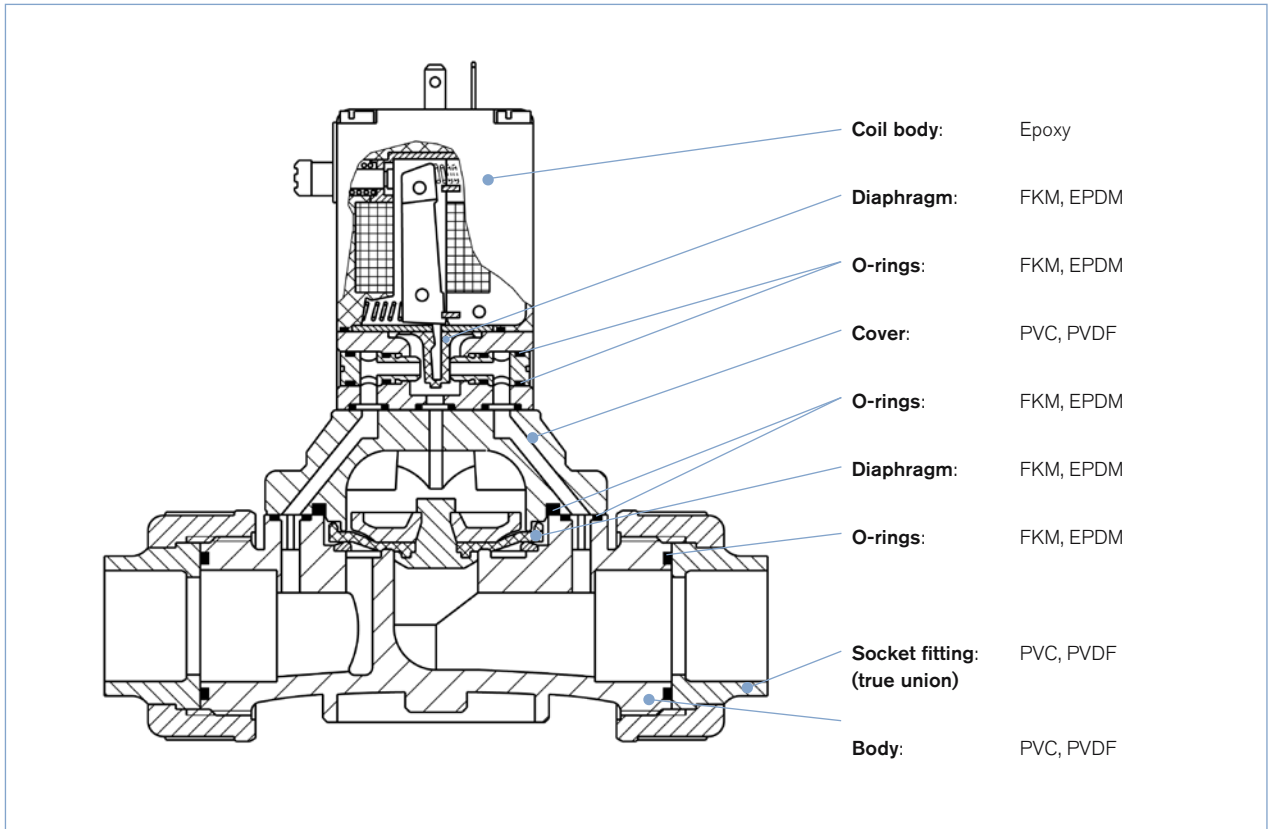
| Power consumption | | | |
|-------------------|--------|-----------------|--------|
| Inrush | | Hold (hot coil) | |
| AC [VA] | DC [W] | AC [VA/W] | DC [W] |
| 20 | 5 | 11/5 | 5 |

| Response times ¹⁾ | |
|------------------------------|-------------|
| Opening [ms] | 100 - 800 |
| Closing [ms] | 1000 - 4000 |

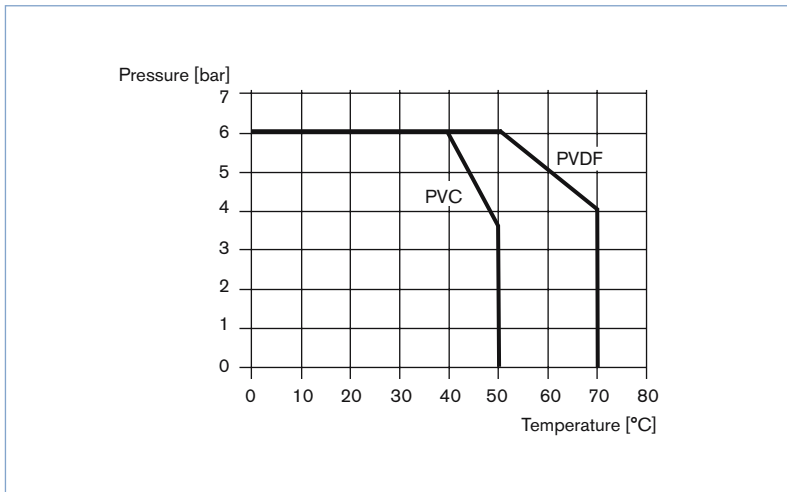
¹⁾ Measured at valve outlet at 6 bar and +20°C acc. to ISO 12238.

Opening: Pressure rise 0 to 90%, Closing: Pressure drop 100 to 10%

Materials

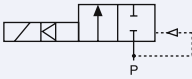


Pressure-Temperature-chart for PVC and PVDF







Ordering chart for valves (other versions on request)

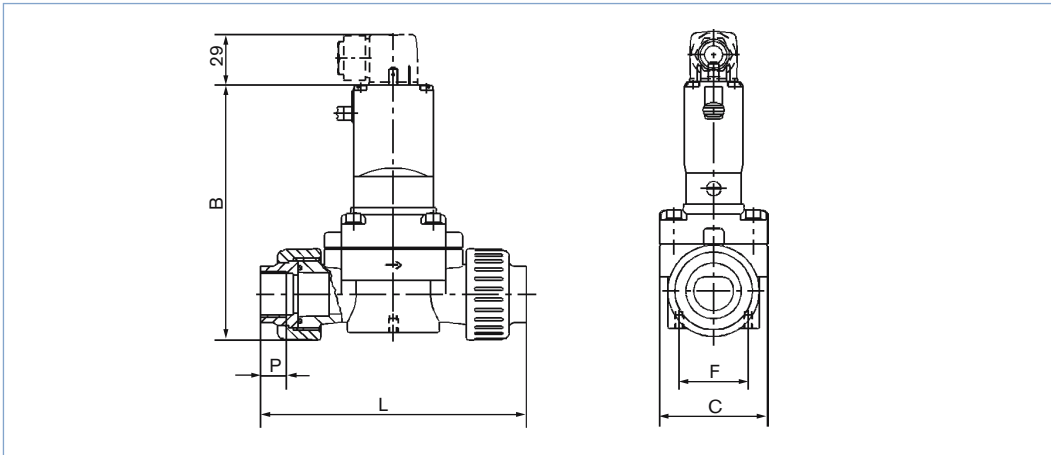
PVC-body with cable plug and manual override

| Circuit function | Port connection True union | Orifice (mm) | Kv-value water [m ³ /h] | Pressure range [bar] | Body material | Item no. per voltage/frequency [V/Hz] | | |
|--|-------------------------------|--------------|--|-------------------------|---------------|--|---------|--|
| | | | | | | 024/DC | 230/50 | |
| A  2/2- way valve, normally closed, with 3-way pilot servo-assistance | Seal material FKM | | | | | | | |
| | Ø 20 | 15 | 5.0 | 0,5 - 6 | PVC | 041 938 | 041 934 | |
| | Ø 25 | 20 | 6.0 | 0,5 - 6 | PVC | 042 008 | 042 005 | |
| | Ø 32 | 25 | 14.0 | 0,5 - 6 | PVC | 042 079 | 042 113 | |
| | Ø 40 | 32 | 16.0 | 0,5 - 6 | PVC | 042 169 | 042 133 | |
| | Ø 50 | 40 | 30.0 | 0,5 - 6 | PVC | 042 198 | 042 245 | |
| | Ø 63 | 50 | 36.0 | 0,5 - 6 | PVC | 042 264 | 042 262 | |
| | Seal material EPDM | | | | | | | |
| | Ø 20 | 15 | 5.0 | 0,5 - 6 | PVC | 041 980 | 041 911 | |
| | Ø 25 | 20 | 6.0 | 0,5 - 6 | PVC | 042 045 | 041 986 | |
| | Ø 32 | 25 | 14.0 | 0,5 - 6 | PVC | 042 047 | 042 126 | |
| | Ø 40 | 32 | 16.0 | 0,5 - 6 | PVC | 042 183 | 042 128 | |
| | Ø 50 | 40 | 30.0 | 0,5 - 6 | PVC | 042 195 | 042 247 | |
| | Ø 63 | 50 | 36.0 | 0,5 - 6 | PVC | 042 266 | 042 261 | |

 Further versions on request

-  **Materials**
 Body material PVDF
-  **Port connection**
 With threaded port
-  **Circuit function**
 B, normally open
-  Feedback switch

Dimensions [mm]



| All versions | | | | | PVC-body | | PVDF-body | |
|--------------|--------|-------|------|------|----------|----|-----------|----|
| DN | Pipe Ø | B | C | F | L | P | L | P |
| 15 | 20 | 148 | 62.5 | 40 | 148 | 16 | 147 | 16 |
| 20 | 25 | 148 | 62.5 | 40 | 154 | 19 | 151 | 18 |
| 25 | 32 | 174.5 | 85 | 44.5 | 190 | 22 | 185 | 20 |
| 32 | 40 | 174.5 | 85 | 44.5 | 198 | 26 | 189 | 22 |
| 40 | 50 | 212 | 115 | 44.5 | 254 | 31 | 245 | 25 |
| 50 | 63 | 212 | 115 | 44.5 | 268 | 38 | 253 | 29 |

To find your nearest Bürkert facility, click on the orange box →

www.burkert.com

In case of special application conditions,
please consult for advice.

We reserve the right to make technical
changes without notice.

0802/2_EU-en_00891606