

16 mm Miniature Rocker Solenoid Valve with Isolating Diaphragm for Technical Applications

Type 6125/6126
(2/2- 3/2-way)

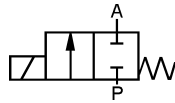
Technical Data

Type 6125: 2/2-Way

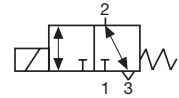
Type 6126: 3/2-Way

Circuit Function

A 2/2-way valve,
normally closed



T 3/2-way valve, direct acting,
universal function, any flow direction



Valve Specification

Pressure range max.	0 - 10 bar (see specifications)
Body material	PPS for sub-base body; PPS, brass or stainless steel 316L for M5 valve body
Seal material	FPM or EPDM
Isolating plate body/coil	Stainless steel
Fluids	Ink, difficult and slightly aggressive media
Fluid temperature	0°C to +50°C
Ambient temperature	Max. +50 °C
Max. viscosity	Approx. 21 mm ² /s
Response time	Approx. 25 ms

Solenoid Specification

Nominal voltages	12, 24 V/DC 110, 230 V/DC and AC
Voltage tolerance	±10 %
Power consumption	3.4 W at 12 and 24 V/DC 4 W at 110-120 V/DC 4 W at 230-240 V/DC
Cycling rate	Approx. 200/min.
Duty cycle	100% continuously rated
Protection class	IP 65 with leads or cable plug 2506, IP 20 without cable plug

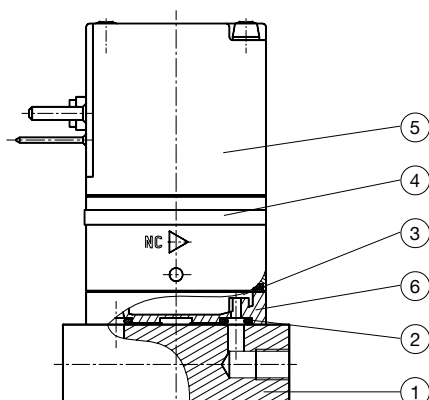
Installation / Accessories

Installation	As required, but preferably with solenoid system upright
Fixation	M2.5 from the the top
Electrical connection	<ul style="list-style-type: none"> side or top tag connector to DIN 43 650 rectangular connector
Cable plug	Type 2506, DIN 43650, form C (standard delivery with valve) Type 2505, rectangular plug (as accessory, separate to order)

Manifolds

Manifolds according to specific application demands
are available.

Materials

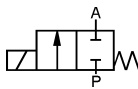


1 Sub-base:	Brass or Stainless steel 1.4404(316L)
2 O-Rings:	FPM or EPDM
3 Diaphragm:	FPM or EPDM
4 Isolating plate:	Stainless steel
5 Coil body:	PA (Polyamide)
6 Body:	PPS

16 mm Miniature Rocker Solenoid Valve with Isolating Diaphragm for Technical Applications

Type 6125/6126 (2/2- 3/2-way)

Specifications - Ordering Chart (Other Versions on Request)



2/2-Way, direct acting,
normally closed

PPS valve body

Port connection	Orifice DN [mm]	Kv-Value (water) [m³/h]	Q _{Nn} (air) [l/min]	Pressure Range [bar]	Back-pressure [bar]	Seal Material	Electrical Connection	Weight [kg]	Item-No. Voltage / Frequency [V/Hz]			
									12/DC ¹⁾	24/DC ¹⁾	110/DC/AC ²⁾	230/DC/AC ²⁾
Sub-base	0.8	0.01	11	0-10	10.0	FPM	cab. plug 2506	0.06	139 151 U	139 088 Z	139 152 V	139 153 W
Sub-base	0.8	0.01	11	0-10	10.0	FPM	rect. plug 2505	0.06	--- ---	139 236 Z	--- ---	--- ---
Sub-base	0.8	0.01	11	0-10	10.0	EPDM	cab. plug 2506	0.06	139 154 X	139 155 Y	--- ---	--- ---

¹⁾ Side tag connector, ²⁾ Top tag connector, universal coil (AC/DC) with integrated rectifier.

Brass / PPS valve body

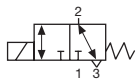
Port connection	Orifice DN [mm]	Kv-Value (water) [m³/h]	Q _{Nn} (air) [l/min]	Pressure Range [bar]	Back-pressure [bar]	Seal Material	Electrical Connection	Weight [kg]	Item-No. Voltage / Frequency [V/Hz]			
									12/DC ¹⁾	24/DC ¹⁾	110/DC/AC ²⁾	230/DC/AC ²⁾
M 5	0.8	0.01	11	0-10	10.0	FPM	cab. plug 2506	0.12	--- ---	431 568 T	431 569 U	431 570 Z

¹⁾ Side tag connector, ²⁾ Top tag connector, universal coil (AC/DC) with integrated rectifier.

Stainless steel 1.4404 (316L) / PPS valve body

Port connection	Orifice DN [mm]	Kv-Value (water) [m³/h]	Q _{Nn} (air) [l/min]	Pressure Range [bar]	Back-pressure [bar]	Seal Material	Electrical Connection	Weight [kg]	Item-No. Voltage / Frequency [V/Hz]			
									12/DC ¹⁾	24/DC ¹⁾	110/DC/AC ²⁾	230/DC/AC ²⁾
M 5	0.8	0.01	11	0-10	10.0	FPM	cab. plug 2506	0.12	--- ---	431 575 J	431 576 K	431 577 L

¹⁾ Side tag connector, ²⁾ Top tag connector, universal coil (AC/DC) with integrated rectifier.



3/2-Way, direct acting
universal functions, any flow direction

PPS valve body

Port connection	Orifice DN [mm]	Kv-Value (water) [m³/h]	Q _{Nn} (air) [l/min]	Pressure Range [bar]	Back-pressure [bar]	Seal Material	Electrical Connection	Weight [kg]	Item-No. Voltage / Frequency [V/Hz]			
									12/DC ¹⁾	24/DC ¹⁾	110/DC/AC ²⁾	230/DC/AC ²⁾
Sub-base	0.8	0.01	11	0- 6	6.0	FPM	cab. plug 2506	0.06	139 158 B	139 159 C	139 160 H	139 161 W
Sub-base	0.8	0.01	11	0- 6	6.0	FPM	rect. plug 2505	0.06	--- ---	139 237 S	--- ---	--- ---
Sub-base	0.8	0.01	11	0- 6	6.0	EPDM	cab. plug 2506	0.06	139 162 X	139 163 Y	139 164 Z	139 165 S

¹⁾ Side tag connector, ²⁾ Top tag connector, universal coil (AC/DC) with integrated rectifier.

Brass / PPS valve body

Port connection	Orifice DN [mm]	Kv-Value (water) [m³/h]	Q _{Nn} (air) [l/min]	Pressure Range [bar]	Back-pressure [bar]	Seal Material	Electrical Connection	Weight [kg]	Item-No. Voltage / Frequency [V/Hz]			
									12/DC ¹⁾	24/DC ¹⁾	110/DC/AC ²⁾	230/DC/AC ²⁾
M 5	0.8	0.01	11	0- 6	6.0	FPM	cab. plug 2506	0.12	--- ---	431 582 A	431 583 B	431 584 C

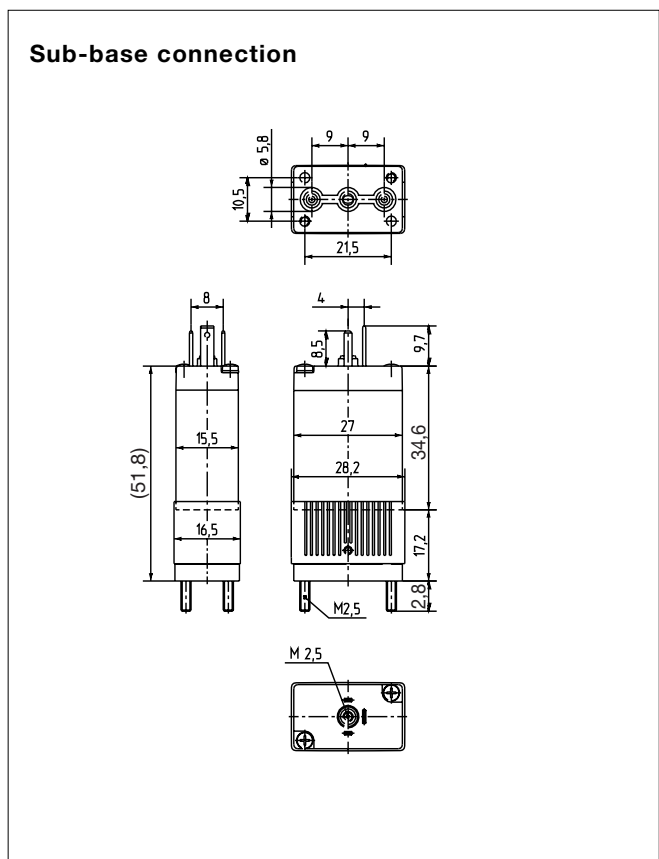
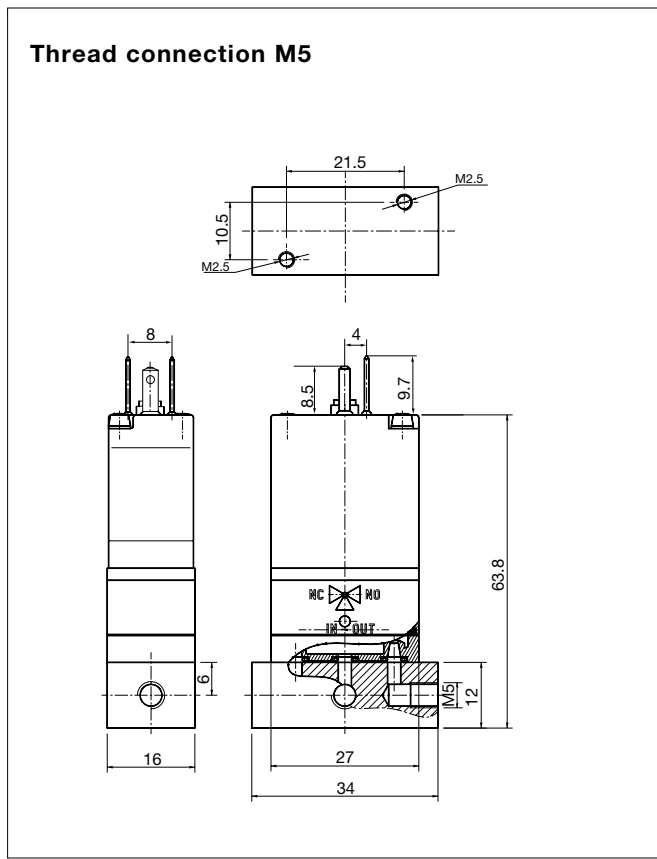
¹⁾ Side tag connector, ²⁾ Top tag connector, universal coil (AC/DC) with integrated rectifier.

Stainless steel 1.4404 (316L) / PPS valve body

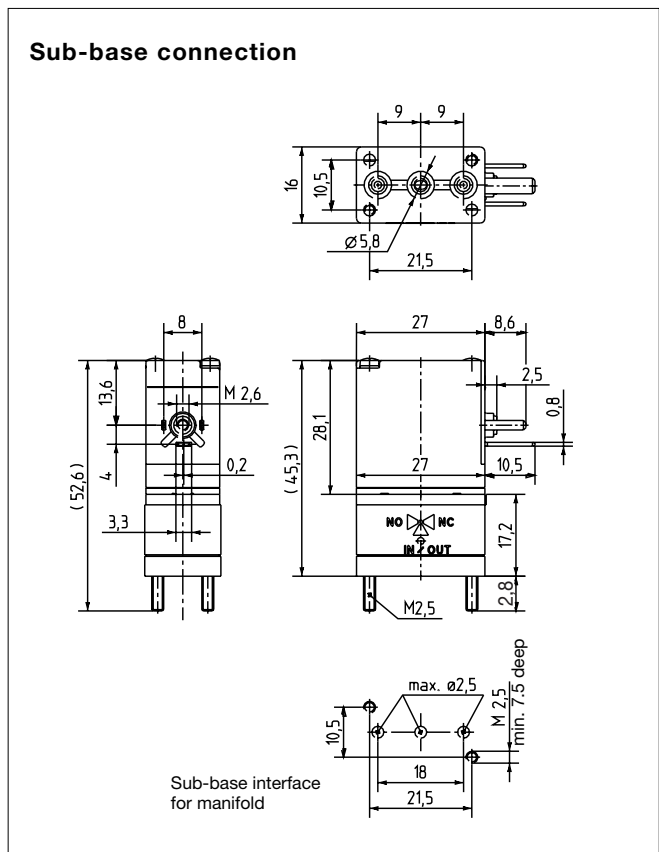
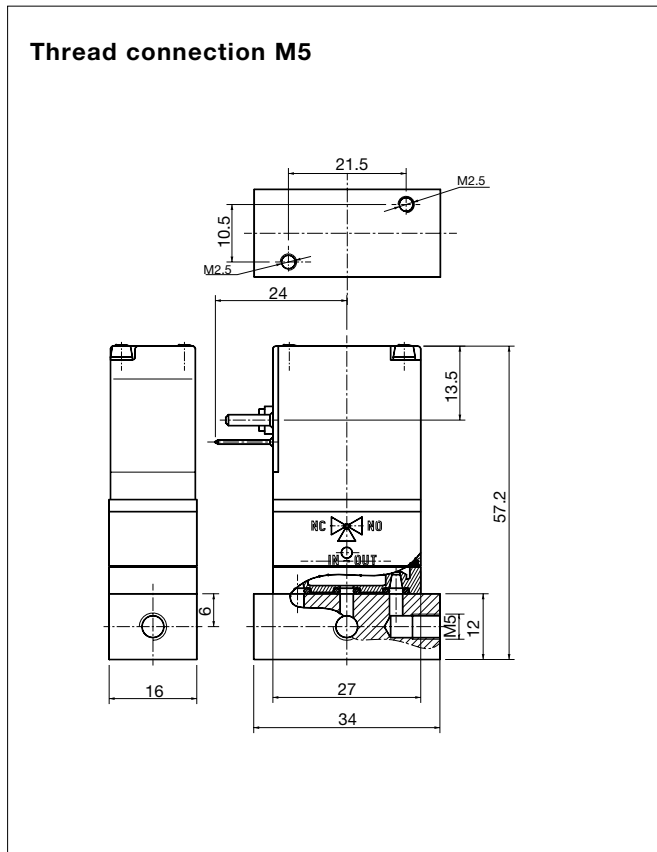
Port connection	Orifice DN [mm]	Kv-Value (water) [m³/h]	Q _{Nn} (air) [l/min]	Pressure Range [bar]	Back-pressure [bar]	Seal Material	Electrical Connection	Weight [kg]	Item-No. Voltage / Frequency [V/Hz]			
									12/DC ¹⁾	24/DC ¹⁾	110/DC/AC ²⁾	230/DC/AC ²⁾
M 5	0.8	0.01	11	0- 6	6.0	FPM	cab. plug 2506	0.12	--- ---	431 589 R	431 590 N	431 591 B

¹⁾ Side tag connector, ²⁾ Top tag connector, universal coil (AC/DC) with integrated rectifier.

Coil with Top Plug 2506 - Dimensions [mm]

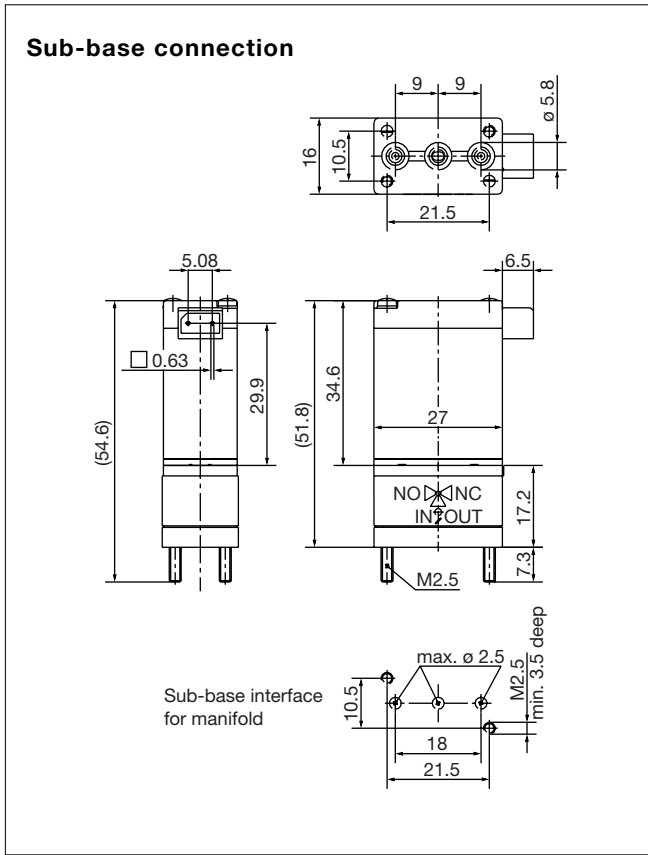


Coil with Side Plug 2506 - Dimensions [mm]



DTS 1000011049 EN Version: A Status: RL (released | freigegeben | validé) printed: 08.08.2008

Coil with Rectangular Plug 2505 - Dimensions [mm]



16 mm Miniature Rocker Solenoid Valve with Isolating Diaphragm for Technical Applications

Type 6125/6126
(2/2- 3/2-way)

Type 2505 - Rectangular Cable Plug

Technical Data

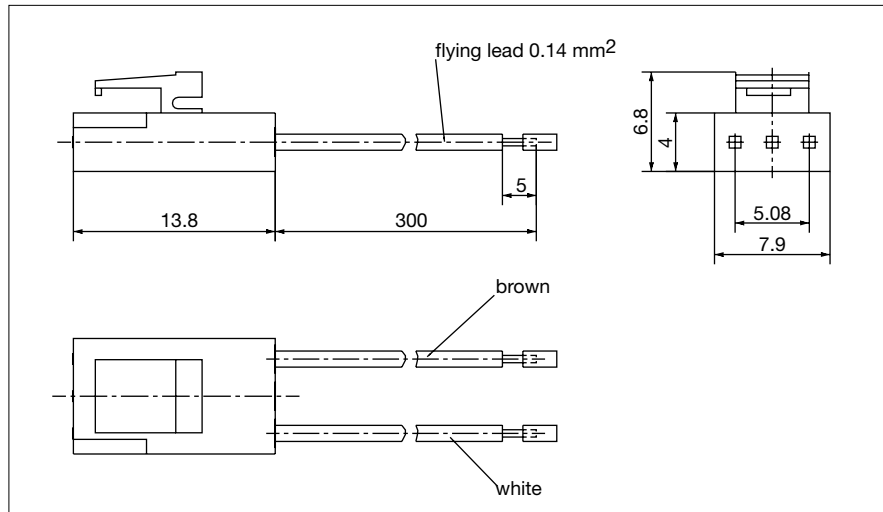
Protection class	IP 20
Operating voltage	24 V
Power consumption	3 W
Operating temperature	0-50 °C

Ordering¹⁾

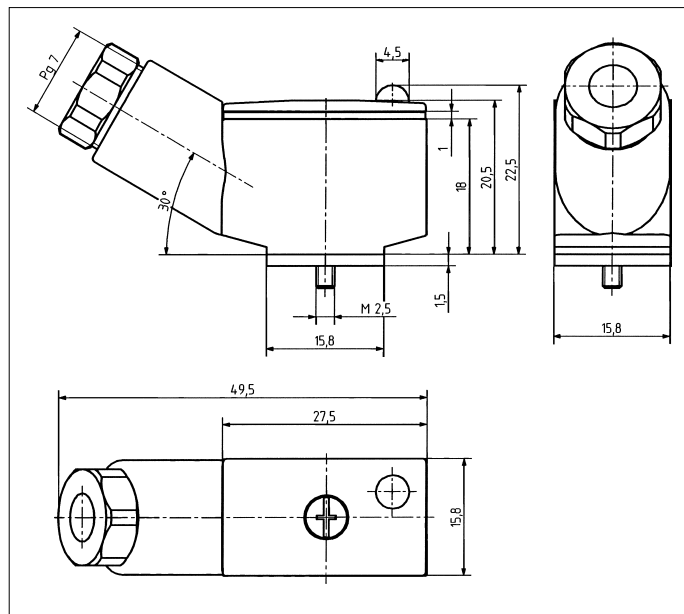
	Item-No.
cable length 300 mm	644 068 N
cable length 3 m	133 486 F

¹⁾ Please order separately
(no standard delivery)

Dimensions [mm]



Type 2506 - Cable plug DIN 43650, Form C



Technical Data

Body material	PA (polyamide)
Contact material	Brass, electro-silverplated
Isolation between cable plug and coil	Gasket 1.5 mm
Continuous limit temp.	+125 °C
Cable diameter	5-6 mm
Electr. connection	Terminal screws Max. 0.75 mm ²
Poles	2-pole + protective earth
Nominal voltage	0-250 V

Ordering

	Item-No.
Cable plug 2506	008 353 P ²⁾

²⁾ Standard delivery with the valve

Diagnosis valve (available on request)

- Flow / low flow signal with adjustable level
- Valve position signal
- LED's and binary outputs
- for 2/2-way and 3/2-way valves

