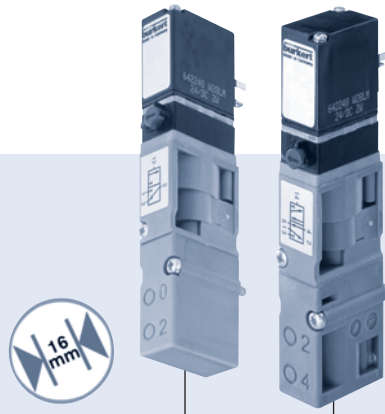


5/2-way Solenoid Valve for pneumatics



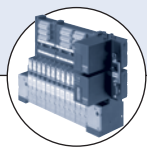
Type 6527 can be combined with...



Type 2506
Cable plug



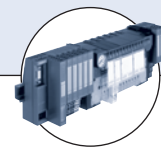
Type 2510/2511
ASI cable plug



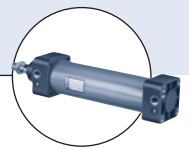
Type 8640
Valve island



Type 2031
Diaphragm valve



Type 8644
Valve island



Type 0044
Pneumatic cylinder

- Compact design
- Single and manifold mounting
- Low power consumption
- Rocker pilot in DC
- Fast response times

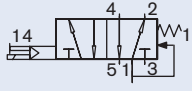
The solenoid valve Type 6527 consists of a pneumatic valve body fitted with Type 6106 rocker pilot valve. The rocker principle allows switching of high pressures together with low power consumption and fast response times. The extendable Type 6527 can be used for block modules (tag connectors in front) or for entire valve islands (8640 & 8644 - tag connectors at the block).

All valves are equipped with manual override as a standard.

Technical data	
Orifice	DN 6.0
Body material	PA (Polyamide)
Seal material	NBR
Media	Lubricated and non-lubricated dry air; neutral gases (10 µm-filter)
Media temperature	-10 to +50 °C
Ambient temperature	-10 to +55 °C
Manual override	As a standard feature
Port connection	Flange for MP12 (please see illustration)
Pneumatic module	Type MP12 with G1/8, Push-in connection Ø 8 mm
Voltage	24 V DC
Voltage tolerance	±10%
Nominal power	2W, 1W
Duty cycle	Continuous operation (100%)
Electrical connection	Tag connector acc. to DIN EN 175301-803 (previously DIN 43650) Form C Type 2506
Protection class	IP 65 (with cable plug)
Weight	95g
Mounting	with 2 screws M3x30
Installation	Any, preferably solenoid system upright

Ordering chart for valves

5/2-way solenoid valve without cable plug

Circuit function	Orifice [mm]	QnN value air [l/min]	Pressure range [bar]	Power consumption [W]	Response times		Item no. 24 V DC
					Opening [ms]	Closing [ms] ³⁾	
H 5/2-way valve 	6	700	1.0 - 10 ¹⁾	2	20	12	156 828
			1.0 - 10 ¹⁾	2	20	12	163 030 ²⁾
			2.0 - 10	2	20	12	156 337
			2.0 - 10	2	20	12	158 942 ²⁾
			2.0 - 8.0	1	20	17	156 827
			2.0 - 8.0	1	20	12	158 943 ²⁾

¹⁾ Version with auxiliary pilot air.

²⁾ Electrical connection above manual ride.

³⁾ In combination with valve islands the closing time will be approx. 5ms longer.

Flow rate, QnN-value air [l/min]: Measured at +20°C, 6 bar pressure at valve inlet and 1 bar pressure difference

Pressure values [bar]: Measured as overpressure to the atmospheric pressure

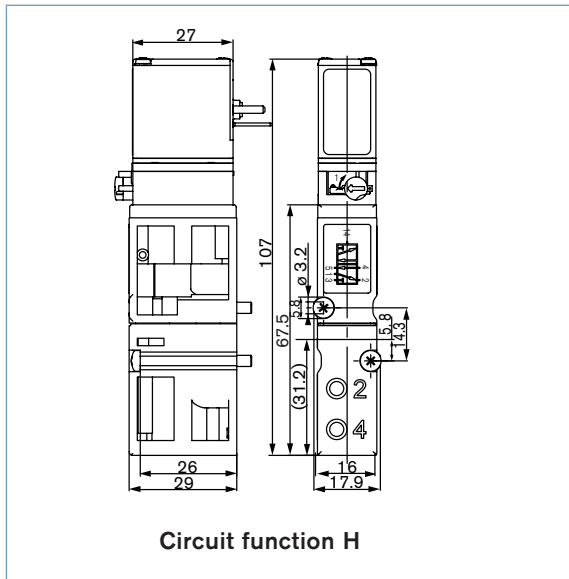
Response times [ms]: Measures acc. to ISO 12238

Please note that the cable plug has to be ordered separately, see ordering chart for accessories on last page or separate datasheet for Type 2506.

Ordering chart for accessories: Type MP12 pneumatic modules

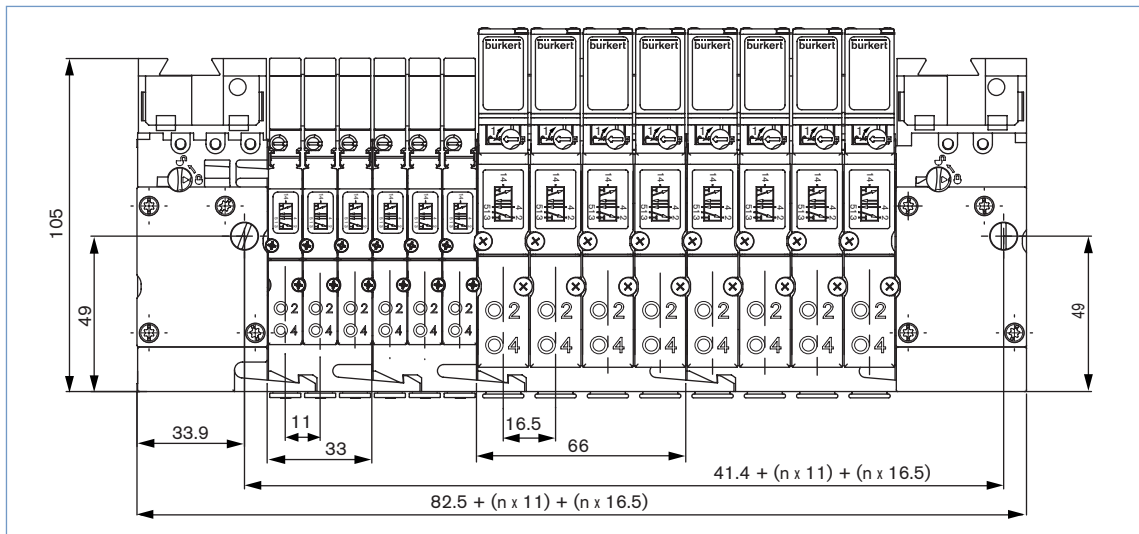
Module	Version	Feature	Item No.
Connection module	right	G 3/8	655 110
		NPT 3/8	655 112
	left	G 3/8	655 109
		NPT 3/8	655 111
Pneumatic basic module 2 valves	push-in connection Ø 8 mm	without check valve	156 617
		with integrated check valve with R-channel	156 635
		with integrated check valve with R and S-channel	156 632
	connection G 1/8	without check valve	156 620
		with integrated check valve with R-channel	156 636
		with integrated check valve with R and S-channel	156 633
	connection NPT 1/8	without check valve	156 631
		with integrated check valve with R-channel	156 637
		with integrated check valve with R and S-channel	156 634
Pneumatic basic module 4 valves	push-in connection Ø 8 mm	without check valve	156 656
		with integrated check valve with R-channel	156 662
		with integrated check valve with R and S-channel	156 659
	connection G 1/8	without check valve	156 657
		with integrated check valve with R-channel	156 663
		with integrated check valve with R and S-channel	156 660
	NPT 1/8	without check valve	156 658
		with integrated check valve with R-channel	156 664
		with integrated check valve with R and S-channel	156 661
Covering plate		for unused valve positions	653 765

Dimensions [mm]



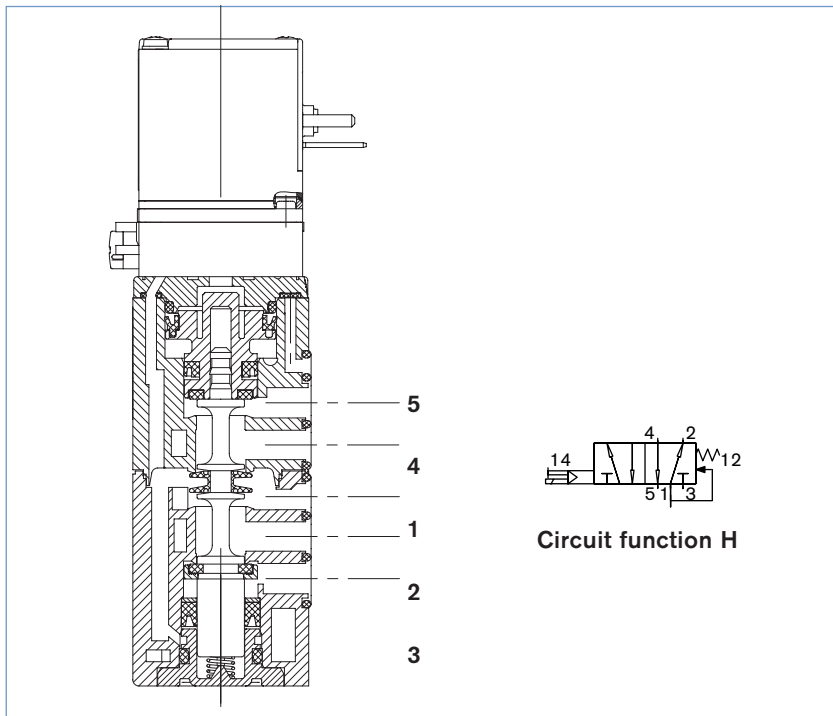
Application example

- 14 Actuators (process valves, cylinder) are controlled
- 8 double acting actuators (large volume)
- 6 double acting actuators (small volume)



Quantity	Type	Version	Item No.
1	MP12	Connection module, right G 3/8	655 110
2	MP12	Pneumatic basic module, 4 valves, push-in connection Ø 8 mm	156 656
2	MP12 for Type 6525	Pneumatic basic module, 3 valves, push-in connection Ø 6 mm	156 647
1	MP12	Connection module, left G 3/8	655 109
8	6527	5/2-way valve, WWC, QNn 700 l/min	156 827
6	6525	5/2-way valve, WWC, QNn 300 l/min	156 733

Sectional drawing

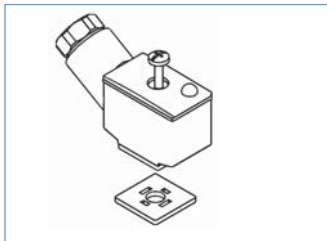


Ordering chart for accessories pneumatic modules Type MP12

Built-in circuitry	Voltage [V]	Supply voltage	Item No.
without built-in circuitry	0 - 250 V	DC	008 353
with LED	12 - 24 V	DC	008 402
with LED and varistor	12 - 24 V	DC	008 408
with rectifier, LED and varistor	12 - 24 V	AC/DC	008 354
with rectifier, LED and varistor	110 - 120 V	AC/DC	008 355
with rectifier, LED and varistor	220 - 240 V	AC/DC	008 356

Additional versions please see datasheet for Type 2506

The delivery of a socket connection includes the flat seal and the mounting screw. For other socket connection models with integrated circuitry to DIN EN 175301-803 (previously DIN 43650) Form C, see datasheet 2506.



To find your nearest Bürkert facility, click on the orange box →

www.burkert.com

In case of special application conditions, please consult for advice.

We reserve the right to make technical changes without notice.

0710/2_EU-en_00891916