



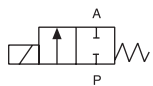
Type 6604 can be combined with...



Manifolds

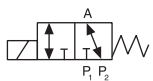
Thanks to the patented Bürkert flipper technology, the direct-acting Type 6604 solenoid valve is unique. It combines fast, precise switching behaviour with reliable media separation, and the design eliminates heat transfer between fluid and coil. The use of high quality materials makes it possible to also use it where high chemical resistance is required. The optional impulse model works with the smallest energy requirement, and is therefore especially suitable for battery operation; the heat transfer to the medium is negligible for this model. A minimal dead volume and gap-free internal design make it possible to use it in medical, analytical and laboratory technology.

Circuit function A



2/2-way valve, NC

Circuit function T



3/2-way valve,
universal function

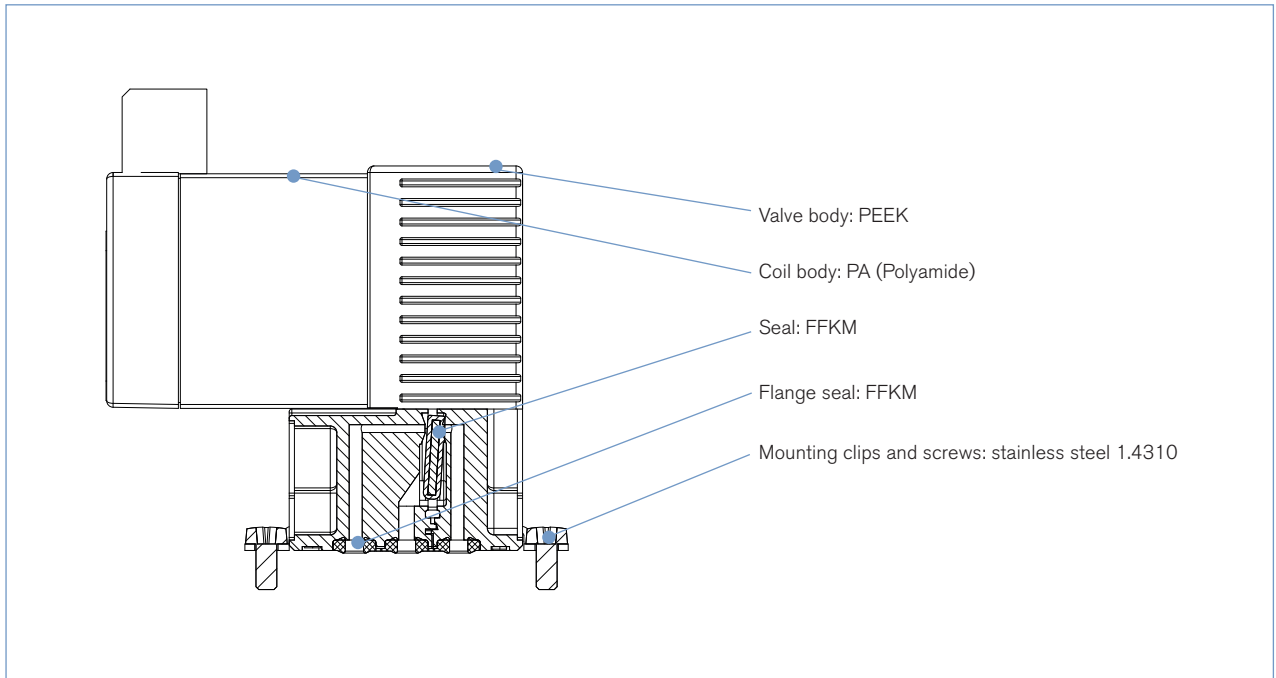
2/2 and 3/2-way Flipper Solenoid Valve, with hermetic isolation of fluid

- Low internal volume
- High chemical resistance
- Low power consumption
- Optional impulse model
- High back pressure tightness
- DN 0.6 mm

Technical data	
Orifice	DN 0.6 mm (DN 1.0 mm on request)
Body material	PEEK
Seal material	FFKM (Perfluorelastomer)
Medium	Resistant to neutral and aggressive liquids and gases, see Bürkert chemical resistance chart; technical vacuum
Medium temperature	0 to +50 °C
Ambient temperature	max. +55 °C
Viscosity	max. 21 mm ² /s
Internal volume	
Fluid chamber	ca. 15µl
3/2-way versions	ca. 45µl
2/2-way versions	ca. 35µl
Port connection	
Flange	UNF 1/4"-28, M3
Manifolds	Tube spigot on request
Manual override	Push manual override
Operating voltage	6, 12, 24 V/DC *
Voltage tolerance	±10%
Power consumption	
Duty cycle	1.5 W
Manifold mounting (in case of higher +40 °C)	100% continuous rating 40% intermittent rating (10 min)
Cycling function	Monostable or bistable (option)
Electrical connections	Rectangular plug or 2 single flying leads, 300 mm
Protection class	IP 40 with rectangular plug
Mounting (sub-base valve)	with holders and mounting screw
Installation	As required, preferably with flange downwards

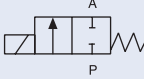
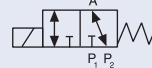
* 10% residual ripple allowed

Materials



Ordering chart flange connection (other versions on request)

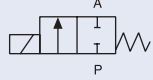
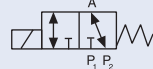
All valves with PEEK body and FFKM seal, rectangular plug types delivered without plug (see Accessories).
The delivery of each valve includes 2 holders with cheese head M 1.6 x 5 screws.

Circuit function	Orifice [mm]	Kv value water [m ³ /h]	Kv value II water [l/min]	QnN value air [l/min]	Pressure range [bar]	Cycling function	Voltage/Frequency [V/Hz] *	Electrical connection	Item no.					
A  2/2-way valve, NC	0.6	0.006	0.1	6.4	Vac - 3	monostable	12/DC	Rectangular plug 5.08 mm	140 463					
								Flying leads, 300 mm	140 465					
							24/DC	Rectangular plug 5.08 mm	140 464					
													Flying leads, 300 mm	140 466
						bistable (impulse drive)	06/DC	Rectangular plug 5.08 mm	140 467					
								Flying leads, 300 mm	140 468					
12/DC	Rectangular plug 5.08 mm	143 170												
							Flying leads, 300 mm	145 467						
T  3/2-way valve, universal function	0.6	0.006	0.1	6.4	Vac - 3	monostable	12/DC	Rectangular plug 5.08 mm	140 469					
								Flying leads, 300 mm	140 471					
							24/DC	Rectangular plug 5.08 mm	140 470					
								Flying leads, 300 mm	140 472					
						bistable (impulse drive)	06/DC	Rectangular plug 5.08 mm	140 473					
								Flying leads, 300 mm	140 474					
							12/DC	Rectangular plug 5.08 mm	141 388					
								Flying leads, 300 mm	145 470					

* 10% residual ripple allowed

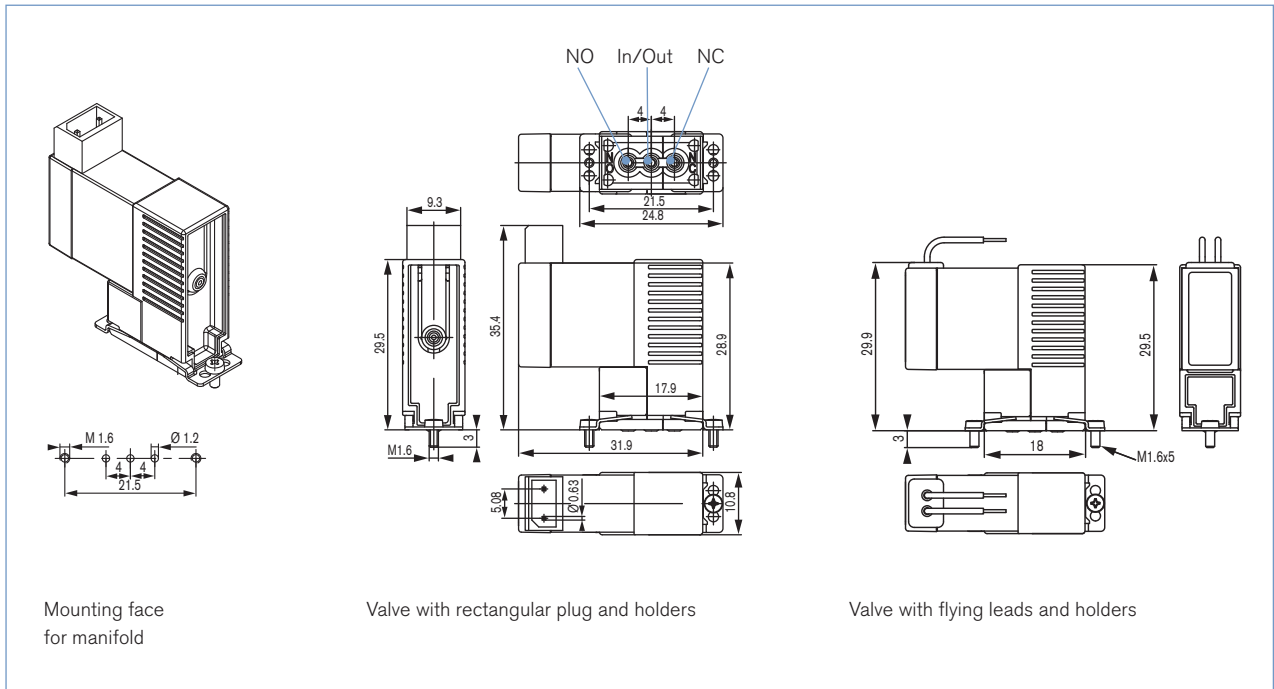
Ordering chart with tube spigots sideways and UNF 1/4-28 (other versions on request)

All valves with PEEK body and FFKM seal, rectangular plug types delivered without plug (see Accessories).

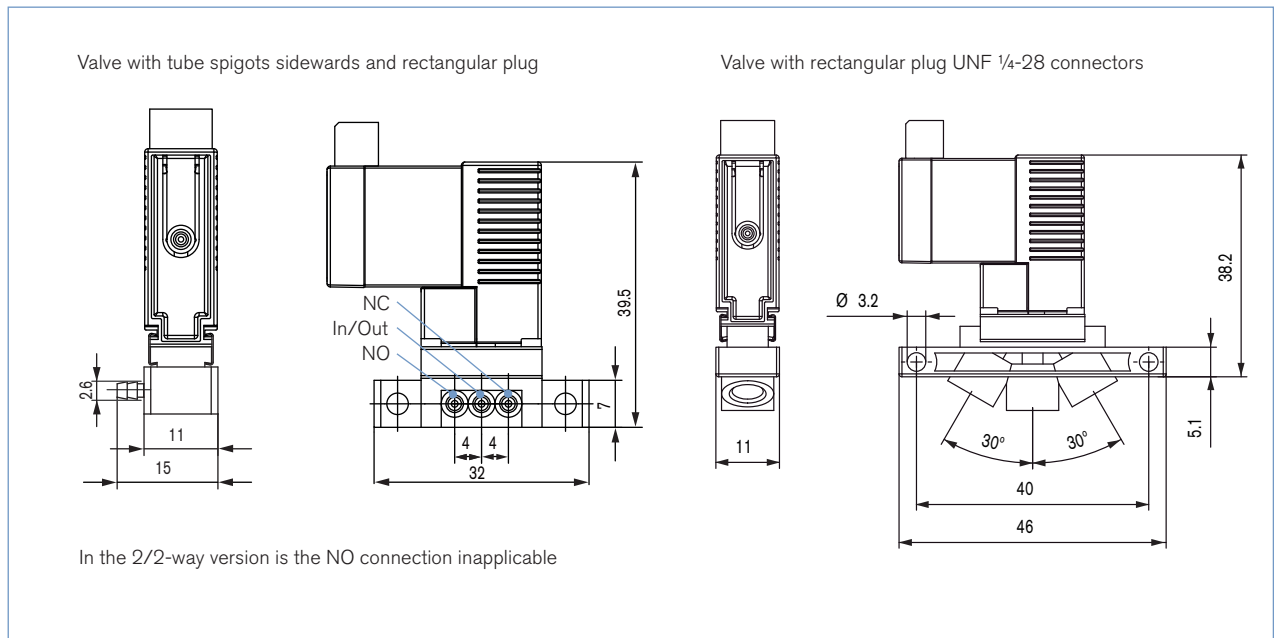
Circuit function	Orifice [mm]	Kv value water [m ³ /h]	Kv value II water [l/min]	QnN value air [l/min]	Pressure range [bar]	Cycling function	Voltage/Frequency [V/Hz] *	Electrical connection	Item no. tube spigots sideways	Item no. UNF 1/4 - 28					
A  2/2-way valve, NC	0.6	0.006	0.1	6.4	Vac - 3	monostable	12/DC	Rectangular plug 5.08 mm	145 617	-					
								Flying leads, 300 mm	145 620	-					
							24/DC	Rectangular plug 5.08 mm	145 621	154 533					
													Flying leads, 300 mm	145 619	189 583
						bistable (impulse drive)	06/DC	Rectangular plug 5.08 mm	145 618	-					
								Flying leads, 300 mm	145 616	-					
T  3/2-way valve, universal function	0.6	0.006	0.1	6.4	Vac - 3	monostable	12/DC	Rectangular plug 5.08 mm	145 624	-					
								Flying leads, 300 mm	145 622	-					
							24/DC	Rectangular plug 5.08 mm	145 625	154 534					
								Flying leads, 300 mm	145 626	189 564					
						bistable (impulse)	06/DC	Rectangular plug 5.08 mm	145 623	-					
								Flying leads, 300 mm	145 627	-					

* 10% residual ripple allowed

Dimensions [mm]



Valve dimensions [mm] with tube spigots sideways and UNF 1/4 -28



Ordering chart accessories

Accessories	Feature	Item no.
Rectangular cable plug	with 3m cable	133 486
	with 300mm flying leads	644 068
	with 2 single contacts	644 067
Single manifold stainless steel	with 3x M3 connection	644 684
Multi-station manifolds in PEEK	2 valves	659 285
	3 valves	659 286
	4 valves	659 287
	5 valves	653 131
	6 valves	659 288
	7 valves	659 289
	8 valves	659 290
	9 valves	659 291
	10 valves	651 379

Other accessories on request:

- Fittings and tubes (see also type 1013 AA05)
- Rectangular cable plug, grid spacing 5.08 mm, for plate mounting
- Peak and hold electronics

Manifold dimensions [mm]

Single manifold M3, stainless steel

Multi-station manifold, PEEK

No. of valve positions	2	3	4	5	6	7	8	9	10
Dimensions A [mm]	33	44	55	66	77	88	99	110	121
Dimensions D [mm]	1.2	1.2	1.2	2	2	2	2	2	2

To find your nearest Bürkert facility, click on the orange box →

www.burkert.com

In case of special application conditions, please consult for advice.

Subject to alterations
© Christian Bürkert GmbH & Co. KG

0811/4_EU-en_00891768